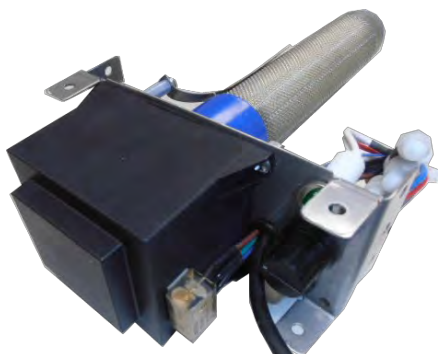


AtmosAir FC100



SPECIFICATIONS

Air Flow Capacity.....up to 4,080 CMH
 Pressure Drop.....Minimal (see Fig. 1)
 Housing Material.....22 Gauge Stainless Steel
 w/ integral universal mounting bracket.
 Weight..... 1.93 kg
 Maximum Operation Temperature.....65.5° C

ELECTRICAL

Voltage.....115/240VAC
 Frequency.....50/60 Hz
 Power Consumption.....5 watts
 Current Draw.....0.2 Amps
 Internal Fuse..... 1.25 Amp
 Field Electrical Connection.....Integrated into AHU

IONIZATION TUBE

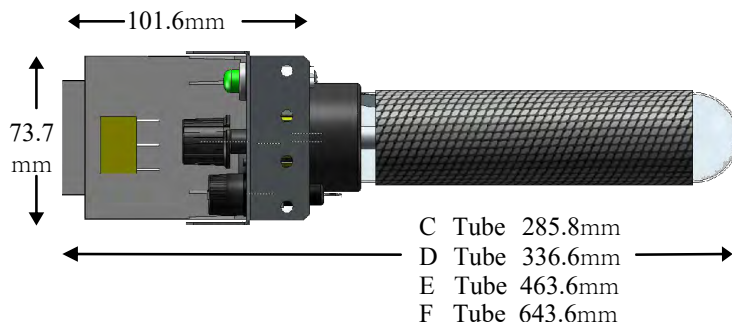
Material..... Multi-Core Composite
 Number.....One (1)
 Size.....C(178mm) D (241mm) E (375mm) F (555mm)
 Tube Life.....17,600 Hours

DIMENSIONS.....see Figure 2

APPROVALS

Underwriters Laboratories Inc listed as plenum rated per UL 2043 file #E313742. Energy Star Certified.

FIGURE 2



APPLICATION

The AtmosAir FC100 ionization system is intended to be mounted in the supply discharge in smaller air handling systems such as fan coils, heat pumps and other unitary type systems. The system can be integrated on an OEM basis, or a retrofit package is also available. Access to the unit's control panel is provided. The unit will be calibrated at the factory per AtmosAir recommendations or the contractor will calibrate the ionization setting to attain ion level readings of between 350 and 1,500 negative ions/cm³ in the space.

OPTIONAL ACCESSORIES

Air Pressure Switch; China Standard Plug Available

FIGURE 1

Duct Size (mm)	Pressure Drop (Pa) for various CMH		
	425	850	1700
914.4 x 914.4	0	0	0
609.6 x 609.6	0	0	0
457.2 x 457.2	0	10	10
406.4 x 406.4	10	10	20
304.8 x 304.8	80	160	810

